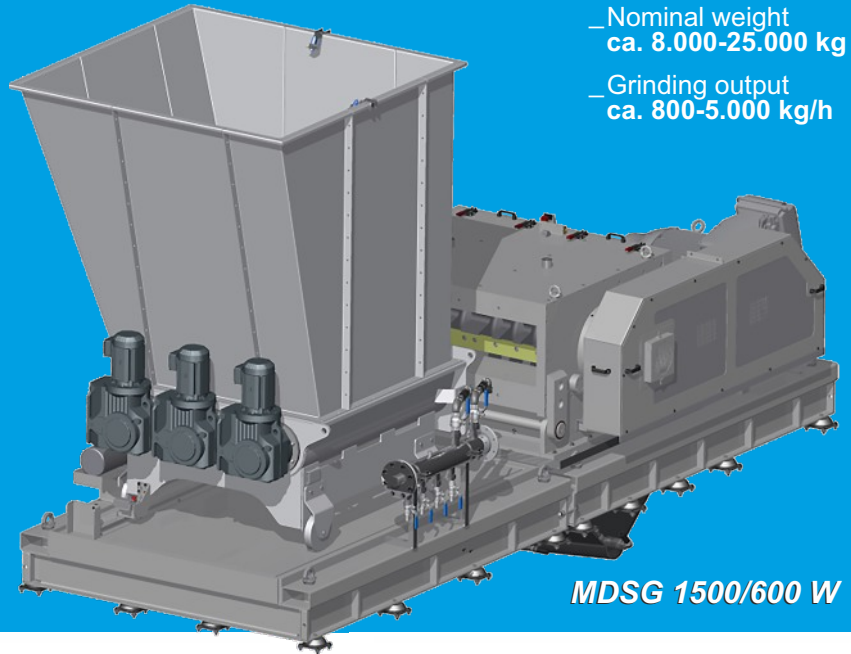


# series 600 W Wetgrinder

- Working width  
600-1.500 mm
- Rotor diameter  
600 mm
- Motor output  
45-110 kW
- Number of rotor knives  
5-7
- Number of stator knives  
2-3
- Rotor speed  
280-490 r.p.m.
- Nominal weight  
ca. 8.000-25.000 kg
- Grinding output  
ca. 800-5.000 kg/h

## Some benefits:

- \_ Robust execution maximises lifetime
- \_ No need to adjust the rotor knife
- \_ Scissors cutting principle optimises Flake geometry
- \_ Rapid ROI creates financial margins
- \_ Optimal and consistent Flake quality
- \_ High throughput at low power
- \_ Digital control minimises operating costs
- \_ Low knife wear



**MDSG 1500/600 W**

## Forced-feed high-performance wet grinder *The new wet grinding reference*

### Low Operating Costs

The wet cutting mills of the 600 series rely on a future-orientated drive concept: Low-power engines minimise power consumption for low operating costs at high throughput rates. The robust design also resists sophisticated High-pollution applications.

### Perfect flakes in film recycling

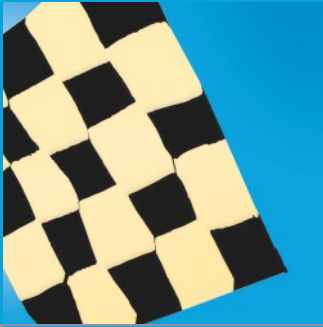
The rotor blades run at an angle against the stator blades for the Hellweg-typical double scissors cut. With a constant cut gap without adjusting the rotor blades, it sets a benchmark at cut quality and Dust-free. The result: flat, torsion-free flakes with perfect particle size distribution and geometry, optimal for further processing, and a minimum dust content of 3 % and less.

### Optimum Operation

Hellweg Smart Control detects power consumption, engine speed and storage temperatures, the condition of knives, Seven and V-belts. This allows the control to optimise feed, motor load and throughput. This ensures maximum economic operation at all times and at all crushing conditions with minimum operating effort.

[more >>](#)

# Hellweg granulators hold *Pole-Position*



The family-owned company Hellweg Maschinenbau has been building since 1985 in-house production machines and plants for worldwide Plastics and recycling industries, including many customer specific versions. The production programme shall include: laboratory mills, side mills, tooth roller mills, central granulators, lump granulators, feeders for edge strips, film cutters and suction systems including dedusting systems.



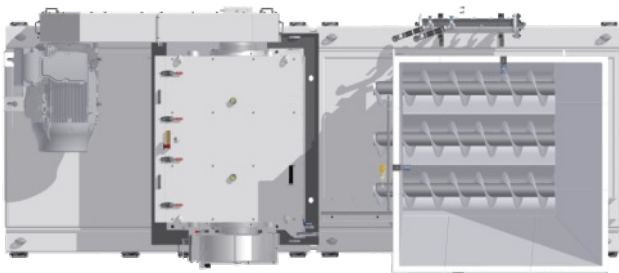
**Hellweg**  
Maschinenbau

Example PET Flakes



## series 600 W

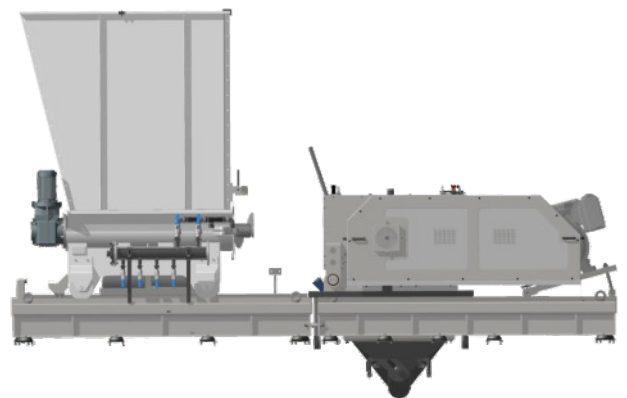
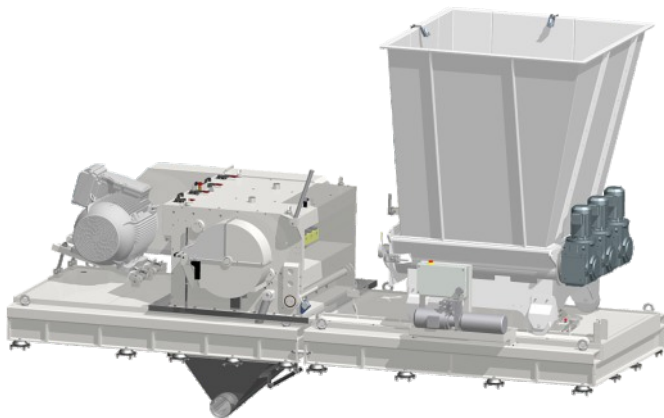
The reference in the wet grinding  
*Forced feed high-performance grinder*



MDSG 1500/600 W

### Quality from conviction:

- \_ High-precision, fully welded grinding housings
- \_ High-performance belt drive
- \_ Twist-resistant rotors without unbalance from a single material blank
- \_ Constant and performance-enhancing cut
- \_ Optimum bottle quality with extremely low dust content
- \_ High-quality cutting blades
- \_ Screens with holes  $\varnothing$  6 to 30 mm



Model / Size	Working width	Rotor - $\varnothing$	Motor output	Number of rotor knives	Number of stator knives	Rotor speed	Grinding output
MDSG 600/600 W	600	600	45 - 75 kW	5-7	2-3	280-490 r.p.m.	ca. 800-1.650 kg/h
MDSG 1000/600 W	1.000	600	75 - 90 kW	5-7	2-3	280-490 r.p.m.	ca. 1.600-3.300 kg/h
MDSG 1500/600 W	1.500	600	75 - 110 kW	5-7	2-3	280-490 r.p.m.	ca. 2.500-5.000 kg/h

Under reserve of technical changesments.

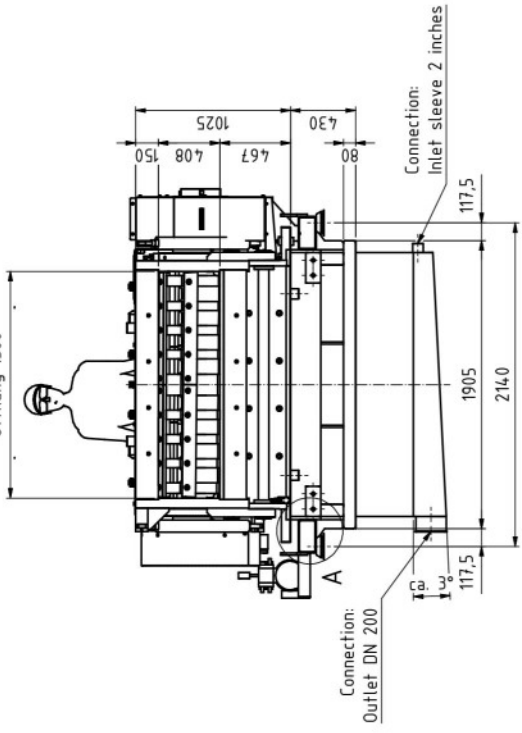
**Test it !**

After a brief agreement, simply send us a sample of the material to be granulated. We will then select a suitable granulator for your application and carry out trial granulation. We will then receive the result returned in the form of granulate for your examination, without any obligation on your part.

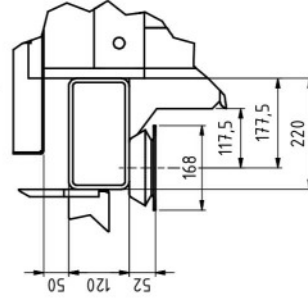
**Hellweg Maschinenbau** GmbH & Co.KG  
Vennstr. 10 · 52159 Roetgen / Germany  
Fon +49 2471 4254 · Fax +49 2471 1630  
info@hellweg-maschinenbau.de  
www.hellweg-maschinenbau.de

F-F ( 1 : 25 )

Öffnung 1500

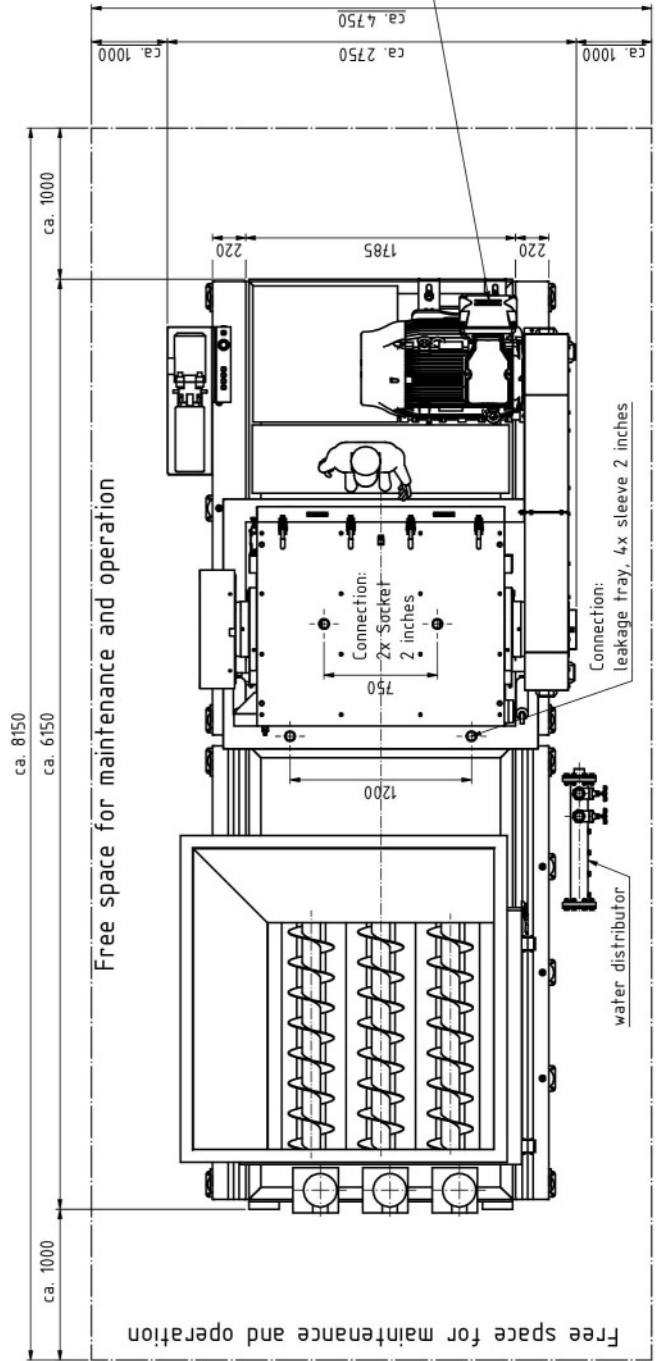
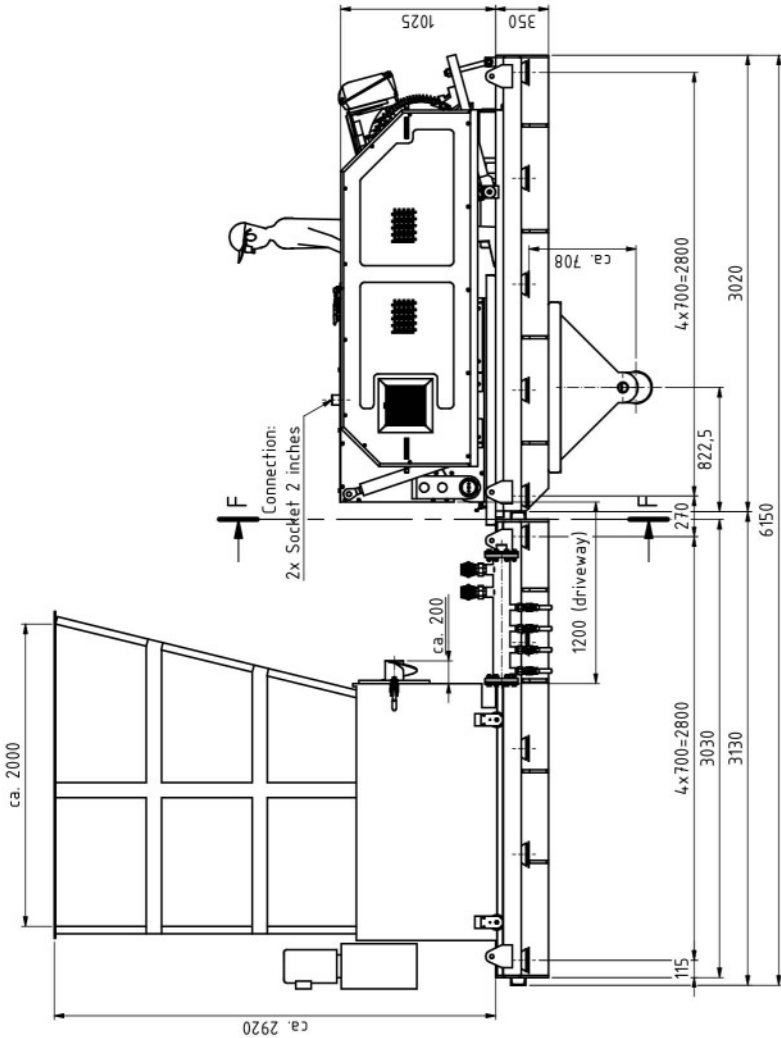


A ( 1 : 7,5 )



Typ W22 IE3, 4pol., BG315S/M

Location has yet to be determined  
electrical control cabinet



A		BESCHREIBUNG		15.04.2021		GENEHMIGT	
ZONE	REV	DIN ISO 21469		DATUM		GENEHMIGT	
1.oberfläche ISO 8015		Kühler ISO 8375		15.04.2021		GENEHMIGT	
2.oberfläche DIN EN ISO 1302		v. Brügg		04.04.2022		GENEHMIGT	
Hersteller: H		Maschinenbau		00023874		Einzelzeichnung	
Typ: MDSGi		Granulator - Screw Discharge		Einwurf		Blatt 1 / 1	
Skizze: 125		125		125		125	